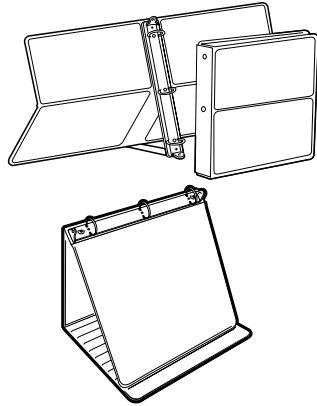




ROUND RING PRESENTATION BINDERS

EASEL Ring Binders



- Leather-like vinyl cover material adds a professional look
- Double booster round ring metal
- Available in vertical and horizontal positions
- Recycled content: 52% by material weight

■ VERTICAL

- Bottom half of binder swings back from ring to form easel stand
- Vinyl strap secures easel stand in place
- Contents can be viewed in normal vertical position

■ HORIZONTAL

- Distinguished scored binder cover contains a Velcro® closer
- Cover folds back to hold binder secure when in use



ITEM NUMBER	ID NO 83086 UPC	COLOR	CTN WT LBS	CTN CUBE	CTN QTY	MIN ORD QTY	U O M
VERTICAL, 1" CAPACITY, 8½" X 11" SHEET SIZE (W X H)							
09261	09261 9	Black	13.8	1.0	12	12	EA
HORIZONTAL, 1" CAPACITY, 11" X 8½" SHEET SIZE (W X H)							
09260	09260 2	Black	13.8	1.0	12	12	EA